

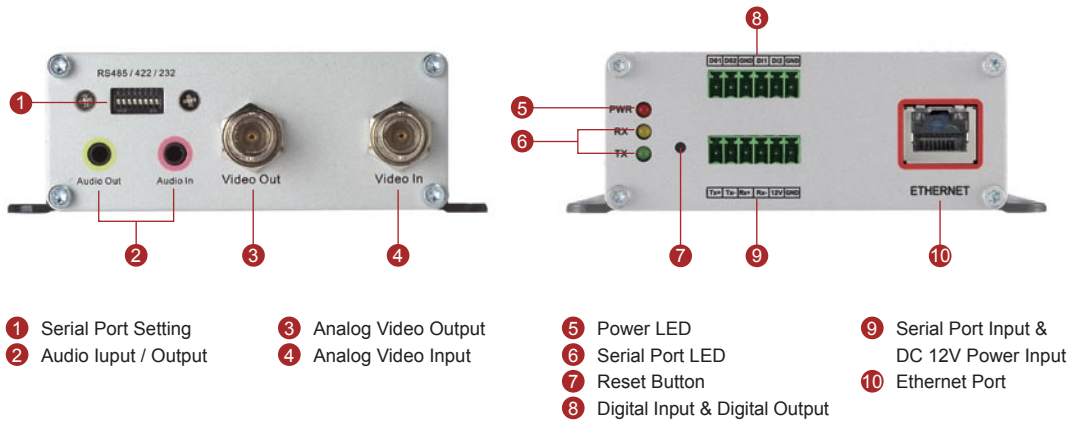


One-channel Entry-level Video Server with Two Way Audio

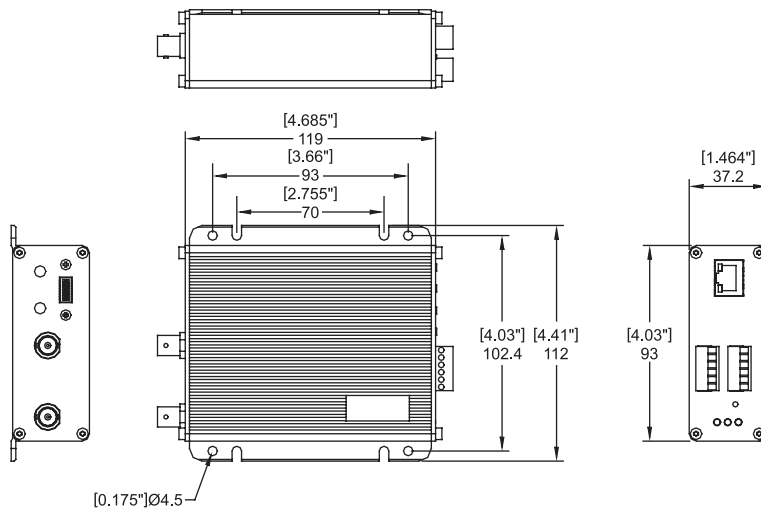
ACD-2100



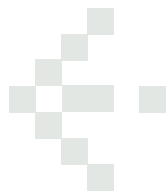
- Selectable MPEG-4 / MJPEG compression
- CIF up to Full D1 resolution at 30/25 FPS
- Multi-stream with variable frame rate in the same compression
- Two way audio supported
- Hardware motion detection
- Hybrid analog and ethernet video output
- Extended temperature supported (ACD-2100T)
- Optional rackmount kit available



DIMENSION DIAGRAM



Unit: mm [inch]



PRODUCT SPECIFICATION

Video (Compression)		External I/O	
Compression	MPEG-4 SP, MJPEG selectable	Reset Button	Factory default
Resolution	Full D1 (720 x 480 in NTSC, 720 x 576 in PAL) VGA (640 x 480 in NTSC, 640 x 480 in PAL) CIF (352 x 240 in NTSC, 352 x 288 in PAL) QCIF (160 x 112 in NTSC, 176 x 144 in PAL)	LED	System status
Bit Rate	28 K ~ 3 M bps	Network	
Image Frame Rate	30 fps at full D1 resolution (NTSC) 25 fps at full D1 resolution (PAL)	Ethernet Port	Ethernet (10/100Base-T), RJ-45 connector
Multi-stream	Up to 2 configurable frame rate/bit rate streams for preview and recording	Protocol	TCP, UDP, IP, HTTP, DHCP, PPPoE, RTP, RTSP, FTP, SMTP, DNS, DDNS, NTP, ICMP, IGMP, ARP
Video Input		Software	
Composite Input	CVBS, 1.0Vp-p with 75 Ω loading, BNC connector	Web Browser	Microsoft Internet Explorer 6.0 or above
Video Output		SDK	ACTi SDK-10000
Composite Output	CVBS, 1.0Vp-p with 75 Ω loading, BNC connector	PTZ Protocol*	Pelco-D, Pelco-P V1 and V2, Dynacolor, Sony VISCA, American Dynamics
Audio Input		Security	Password protection : configured by the administrator
Compression	8 kHz, Mono, PCM	Operating	
Audio Line Input	Unbalanced, 1.4 Vp-p, 1 Vrms, 3.5 mm Phone Jack	Temperature	0 °C ~ 50 °C (32 °F ~ 122 °F), ACD-2100; -30 °C ~ 70 °C (-22 °F ~ 158 °F), ACD-2100T
Audio Output		Power	
Compression	8 kHz, Mono, PCM	Power Requirement	DC 12V ±10%
Audio Line Output	Unbalanced, 1.4 Vp-p, 1 Vrms, 3.5 mm Phone Jack	Power Consumption	3.8 W
Alarm		Physical	
Digital Input	2, TTL, terminal block	Dimensions (WxHxD)	112 mm x 37.2 mm x 119 mm (4.41" x 1.46" x 4.68")
Digital Output	2, TTL, terminal block	Weight	350 g (0.66 lb)
Remote Control		Approvals	
Serial Port	RS-485: half duplex, terminal block RS-422: full duplex, terminal block RS-232: full duplex, terminal block	Certificate	CE, FCC

* These PTZ protocols are supported in ACTi NVR and Streaming Explorer.

MODEL SELECTION

Model Name	Full D1	Extended Temperature
ACD-2100	V	
ACD-2100T	V	V