



IP Fixed Dome Camera with Vari-focal Lens

ACM-3011

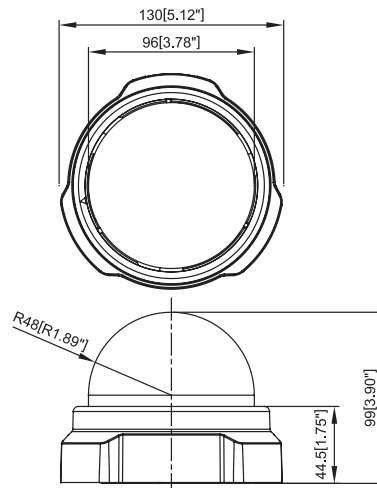


- 1/3" Micron Progressive Scan CMOS
- Day and night function with Mechanical IR Cut Filter
- Integrated f3.3~12 mm / F1.6 lens
- 0 Lux (IR LED ON)
- Selectable MPEG-4 / MJPEG compression
- VGA resolution at 30 FPS
- Multi-stream with variable frame rate in the same compression
- Two-way audio supported
- Hardware motion detection
- DC 12V or Power over Ethernet (IEEE 802.3af) supported
- Surface and wall mount supported



- | | |
|------------------------|----------------------|
| 1 Audio Input / Output | 3 DC 12V Power Input |
| 2 Reset Button | 4 Ethernet Port |

DIMENSION DIAGRAM



Unit: mm [inch]



ACM-3011

PRODUCT SPECIFICATION

		ACM-3011
Image	Device	Micron Progressive Scan CMOS
	Size	1/3 inch
	Effective Pixels	640 (H) x 480(V)
Min. scene Illumination	Color	Color mode automatically switched to B/W mode under 4 Lux
	B/W	0 Lux (IR LED ON)
	IR Sensitivity	from 700 nm to 1100 nm
	IR LED	IR LED x24 (850 nm)
	CDS Sensor	Yes
	IR Working Distance	10 ~ 20 M (30 IRE)
	Lens	Lens
Viewing Angle		89.8° ~ 13.9° (Horizontal)
Camera Angel Adjustmeny	X (Panning)	0° ~330°
	Y (Tilting)	30° ~90°
Synchronization	Sync. System	Internal
Day/Night Functions	Mechanical IR Cut Filter	Yes
Functions	Motion Detection	Yes (3 Windows)
	Electronic shutter	1/5 ~ 1/15,000 sec
	Fixed Shutter (Manual)	1/30 ~ 1/1,000 sec. (60Hz); 1/25 ~ 1/1,000 sec. (50Hz)
	Flickerless	1/120 sec. (60Hz); 1/100 sec. (50Hz)
	BLC	Yes
	AGC	Automatic (User defined)
	White Balance	AUTO, INDOOR1, INDOOR2, OUTDOOR1, OUTDOOR2, HOLD CURRENT, MANUAL
S/N Ratio	S/N Ratio	Better than 44 dB
Video Compression	Compression	MPEG-4 SP, MJPEG selectable
	Picture Resolution	VGA (640x480); QVGA (320x240); QQVGA (160 x 112)
	Bit Rate	28 K ~ 3 M bps
	Image Frame Rate	30 fps at VGA resolution
Audio Input	Compression	8kHz, Mono, PCM
	Audio Line Input	Unbalanced, 1.4Vp-p, 1Vrms, terminal block
Audio Output	Compression	8kHz, Mono, PCM
	Audio Line Output	Unbalanced, 1.4Vp-p, 1Vrms, terminal block
External I/O	Reset Button	Factory default
Casing	Mount Tpyes	Surface / Wall (option)
Network	Ethernet	Ethernet (10/100 Base-T), RJ-45 connector
	Protocol	TCP, UDP, IP, HTTP, DHCP, PPPoE, RTP, RTSP, FTP, SMTP, DNS, DDNS, NTP, ICMP, IGMP, ARP
Software	Web Browser	Microsoft Internet Explorer 6.0 or above
	SDK	ActiveX control, C SDK
Operating	Security	Password protection: configured by the administrator
Power	Temperature	-10 °C ~ 45 °C (14 °F ~ 112 °F)
	Power Requirement	PoE (IEEE802.3af) with Class 3
Physical	Power Consumption	5.0W (DC 12V); 6.8W (PoE)
	Dimensions (ØxH)	130 mm x 99 mm (5.12" x 3.90")
Approvals	Weight	380 g (0.84 lb)
	Certificate	CE, FCC

ACCESSORY OPTIONS

- Wall mount kit PMAX-0300-000R0
- Fixed Dome Cover - Smoke Cover PDCX-0100-000R0



PMAX-0300-000R0



PDCX-0100-000R0